

ENHANCED IMAGE BETTER FOCUS & SHARPNESS

CAPTURE CLEARLY ALL DAY



XDI-V

LCD5100

High Resolution Plastic Dome Camera

700 TVL (B/W), Coaxial Communication



FEATURES

- 6mm (1/3 Type) Exview HAD CCD II
- 2.8 ~ 11mm Vari-focal Lens, F1.2
- 520K / 610K Pixels (NTSC / PAL)
- 650TVL @ Color / 700TVL @ B/W
- Color : 0.0001 Lux @ Sens-up x512, F1.2
- B/W : 0.000001 Lux @ Sens-up x512, F1.2
- 2D + 3D DNR
- Digital Day & Night
- 14 Privacy Zone Masking
- Motion Detection (8 Zones)
- Coaxial Communication
- DC 12V / AC 24V

LCD5100

High Resolution Plastic Dome Camera

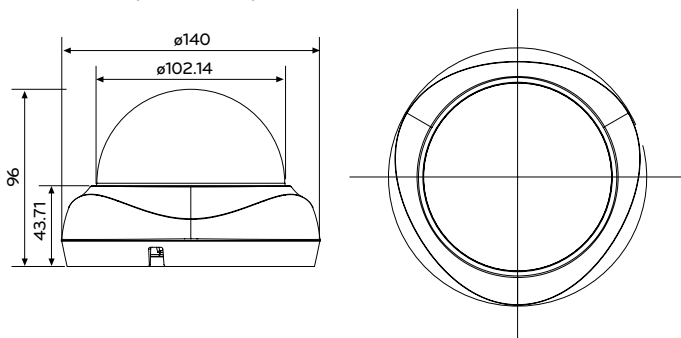


SPECIFICATIONS

Model Name		LCD5100	
		LCD5100-BN	LCD5100-BP
Video	Signal System	NTSC	PAL
	Imaging Sensor	6mm (1/3 Type) Exview HAD CCD II	
	Total / Effective Pixels No.	520K / 480K	610K / 570K
	Horizontal Resolution	650TVL @ Color / 700TVL @ B/W	
	Image Signal Processor	XDI-V	
	Lens Type	2.8 ~ 11mm Vari-focal Lens, F1.2	
	Minimum Illumination (30IRE)	Color : 0.03 Lux @ Sens-up Off, F1.2 0.0003 Lux @ Sens-up Auto, F1.2 0.0001 Lux @ Sens-up x512, F1.2 B/W : 0.03 Lux @ Sens-up Off, F1.2 0.0003 Lux @ Sens-up Auto, F1.2 0.000001 Lux @ Sens-up x512, F1.2	
	Day & Night	Digital Day & Night (AUTO / DAY / NIGHT)	
	IRIS Control	DC	
	Sync. System	Internal / Line Lock	
	Scanning Frequency (H/V)	15.734KHz / 59.94Hz	15.625KHz / 50Hz
	S/N Ratio	50dB	
	Video Output Signal	1Vp-p Composite (75Ω)	
	Operational	Backlight Compensation	BLC / HSBLC / Off
DNR		2D + 3D - DNR	
Exposure		ALC / ELC	
Auto Gain Control		Off / Low / Middle / High	
Electronic Shutter Speed		1/60 ~ 1/120,000	1/50 ~ 1/120,000
Digital Zoom		x16	
Sens-up		Off / Auto (x2, x3, x4, ...x512) / Manual (x2, x3, x4, ...x512)	
White Balance		Auto / ATW (1,700°K ~ 11,000°K) / One Push / Manual	
Privacy Zone Masking		14 Mask Zones	
Motion Detection		8 Zones	
Digital Effect		Off / V-Flip / Mirror / Rotate	
OSD Language		English, Chinese, Korean, Japanese, French, Italian, Spanish, Portuguese, Dutch, German, Polish, Russian, Turkish, Arabic, Hebrew	
General	Communication	Coaxial Communication	
	Power Source	DC 12V / AC 24V	
	Power Consumption	2.4W	
	Input Current	190mA	
	Operating Temperature / Humidity	-10°C ~ 50°C / 0% ~ 80%RH	
	Storage Temperature / Humidity	-20°C ~ 60°C / 0% ~ 85%RH	
	Certifications	FCC, CE, UL, KCC	
	Dimension (ø x H)mm	ø140 X 96mm	
Weight (kg)	0.395		

* Exact products and specifications shown may vary by geographic region and are subject to change without notice. Actual products may differ from the images appearing in the catalog.

DIMENSION (Unit : mm)



Home Entertainment Company
Security Overseas Marketing Team
LG Twin Towers, 20 Yeouido-dong, Yeongdeungpo-gu, Seoul 150-721, Korea
Phone : +82-2-3777-5184

The eco-friendly label is attached to those products which have passed LG Electronics' rigorous environmental criteria that evaluate 6 hazardous materials (lead, mercury, cadmium, etc.)

